

# PT.CITRA PITA NIAGATAMA

Komp. Mutiara Taman Palem Blok A7 No.21, Cengkareng - Jakarta Barat  
Telp: 021 – 54353612 Fax: 021 – 54350297

One source for Oil & Gas Project From Drilling to Refining

## Company Profile & Capabilities



Oil & Gas Drilling Services



Offshore Technology & Pipeline



Block Station, NGL & Gas Compression



Refining, Petrochemical, LNG and GTL



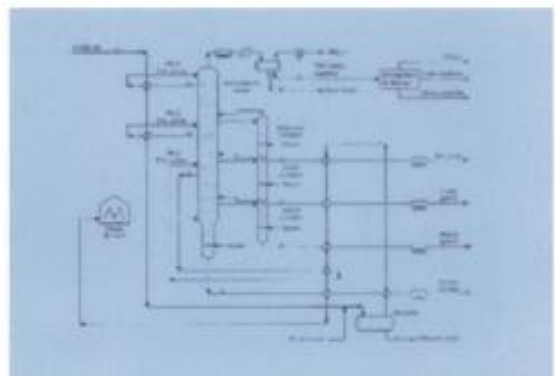
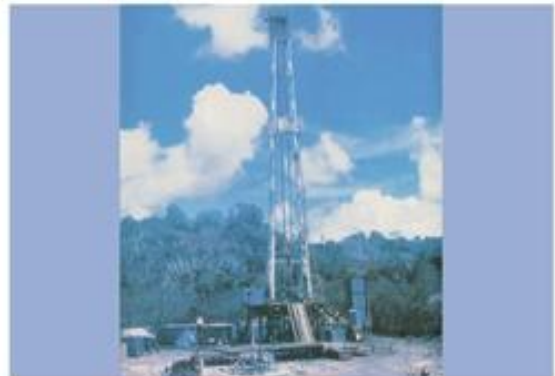
Oil Field Supply & Equipment Rental



Manpower O & M



Safety Health & Environmental



Delivered and Excellence in Oil & Gas Project

PT.CITRA PITA NIAGATAMA



**PT. CITRA PITA NIAGATAMA**

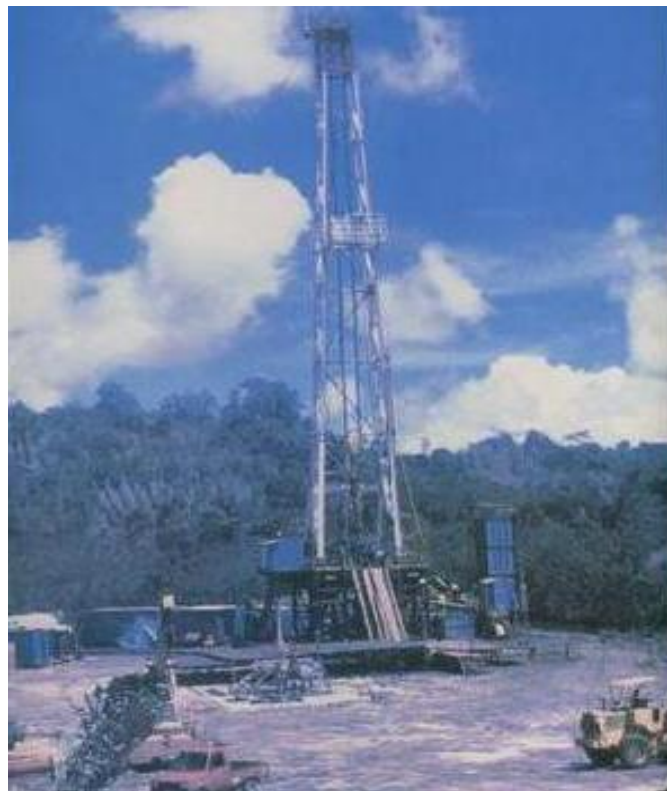
**Drilling Services, Oilfield Supplies & Man Power  
Project Services & Process Technology.**

**Oil & Gas, CBM, Geothermal Drilling Services**



**PT. CITRA PITA NIAGATAMA Operates and Manages  
Drilling & Work over Rig to the energy industry and has the fleet as follow :**

- **National N80E 1000 HP**
- **Kremco 600 Self Propelled**
- **Skytop 550 Self Propelled**
- **Ideco 350 Self Propelled**



**PT.CITRA PITA NIAGATAMA**

## Offshore Technology & Pipeline



**PT. CITRA PITA NIAGATAMA** with his valuable principal has extensive experience in the offshore and pipeline industry.

Headed and team up by first class expert, **PT. CITRA PITA NIAGATAMA** develop a modern sub sea trenching equipment.

We offer an every project is fulfilled in the areas as follows :

- **Sub Sea Pipeline / Trees & Umbilical Installation.**
- **Span Correction and Sub Sea Pipeline Stabilization.**
- **Offshore Facilities / Jackets / Piles & Conductors / Decks / Module and Topside Facilities.**
- **Offshore Services for : Ocean Transportation / Installation / Hook-up / Commissioning Maintenance.**
- **Special Offshore Facilities :**
  - **Caisson Type Drilling Production Platform**
  - **Tension Leg Platform.**
  - **Single Buoy Mooring System / Barge Mounted Modules.**



# PT.CITRA PITA NIAGATAMA

## Block Station & Gas Compression

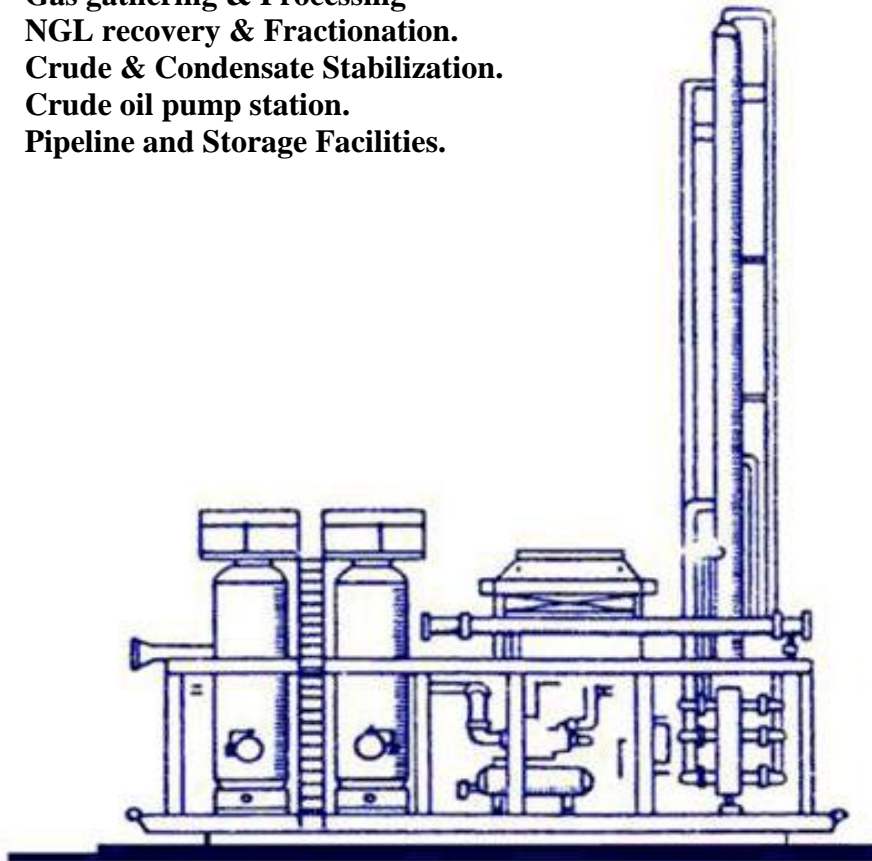


**PT. CITRA PITA NIAGATAMA design & build facilities with standard plant lay out ranging from 500 BOPD up to 60,000 BOPD and 1 MMSCFD up to 300 MMSCFD natural gas.**

**We tie in and have fully support from a reputable principal in USA. Headed by first class gas compression specialist will answer your compression requirement no matter what size.**

**PT. CITRA PITA NIAGATAMA offering variety of services to our customers as follows :**

- **Crude oil & gas production facilities from well head to process equipment**
- **Gas gathering & Processing**
- **NGL recovery & Fractionation.**
- **Crude & Condensate Stabilization.**
- **Crude oil pump station.**
- **Pipeline and Storage Facilities.**



# PT.CITRA PITA NIAGATAMA

## Gas Processing Plant

- **Liquid Extration & Fractionation**
  - **Natural Gas Liquid (NGL) Extraction**
  - **Liquefied Petroleum Gas (LPG) Extraction**
  - **Nitrogen Rejection**
- **Gas Treatment Facilities**
  - **Gas Dehydration**
  - **Gas Sweetening & Co<sub>2</sub> Removal**
  - **Sulfur Recovery**
- **Hydrocarbon Dew Point Control**
  - **Simple Cooling/ External Refrigeration**
  - **Turbo-Expansion / J – T Expansion**
  - **Adsorption / Lean Oil Absorption**

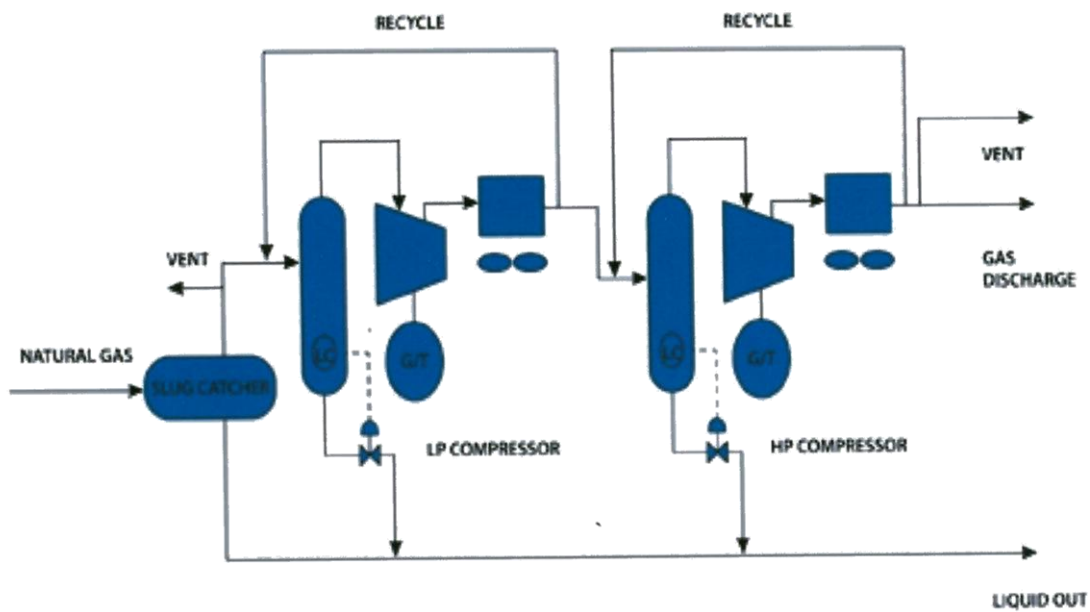
### **Gas Compression & Transmission**

- **Onshore Compression**
- **Gas Transmission from Offshore & Platform**
- **Gas Re-Injection**
- **Transmission Pipeline**
  - **ROW Routes Survey**
  - **Optimizing Line Size & Compression Station**
  - **Receiving Station & Metering Facilities**
  - **Distribution Network Analysis**



## Gas Compression & Transmission

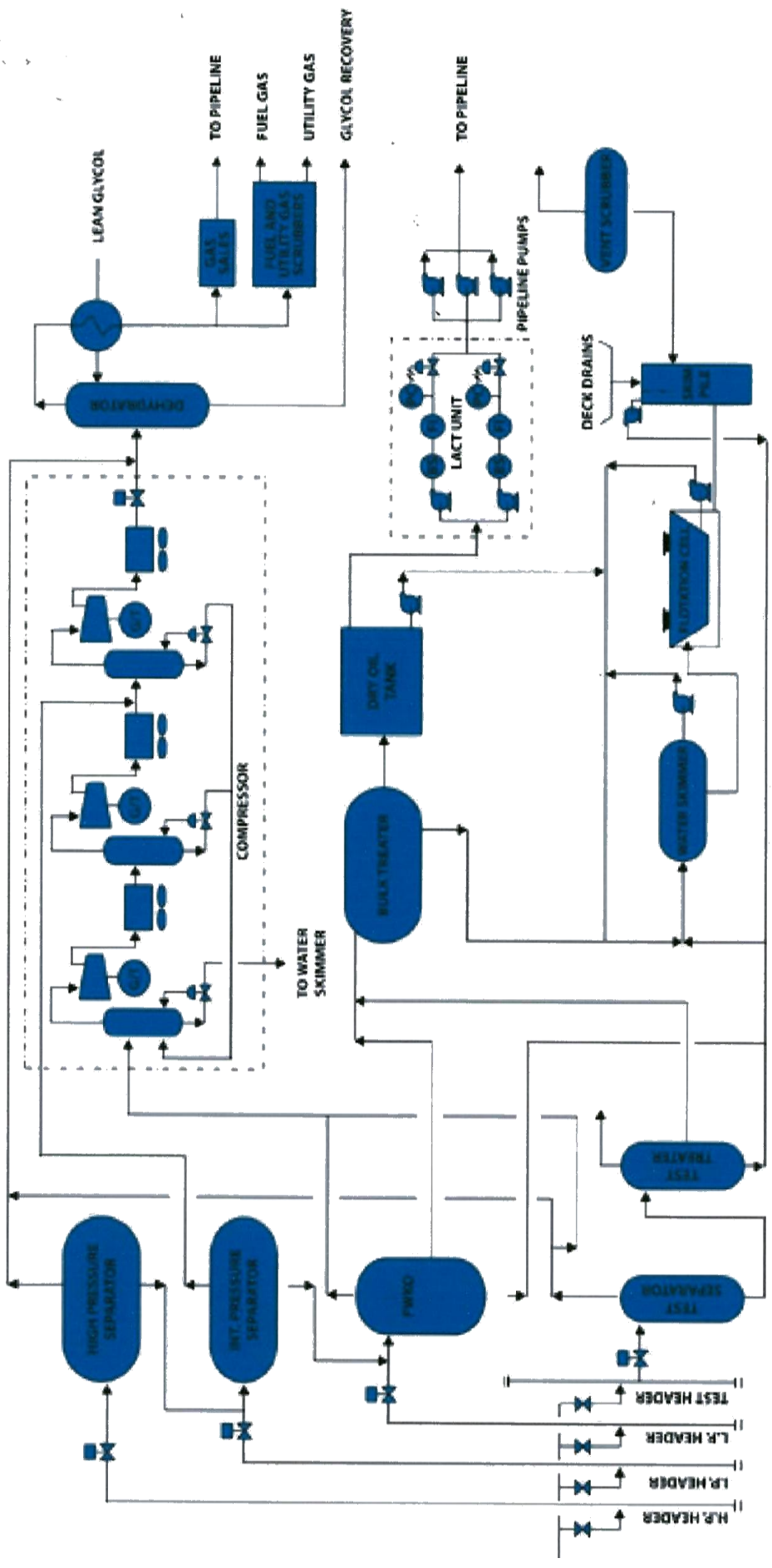
- Onshore Compression
- Gas Transmission from Offshore & Platform
- Gas Re-Injection
- Transmission Pipeline
  - ROW Routes Survey
  - Optimizing Line Size & Compression Station
  - Receiving Station & Metering Facilities
  - Distribution Network Analysis



**Two Stage Compression Process**

**PT.CITRA PITA NIAGATAMA**

# Process Flow Diagram



PT.CITRA PITA NIAGATAMA

## Refining & Petrochemical

- **PT. CITRA PITA NIAGATAMA** experience in these section headed by Senior Chemical Engineer Team.
- **PT. CITRA PITA NIAGATAMA** has initiated and introducing GTL technology to unlock stranded gas to Government of Indonesia through Dirjen MIGAS on year 1999.
- We also offering design for small scale LNG train ranging from 10 MMSCFD to 100 MMSCFD our service including as follows :
  - **LNG Receiving Terminal.**
  - **LNG Liquefaction and NGL Extraction Plant.**
    - \* **Unloading / LNG Storage/Boil-off Gas.**
    - \* **Vaporizing/Measuring/Send-out Facilities.**



**PT.CITRA PITA NIAGATAMA**





## Oil Field Supply & Equipment Rental

**Gas Sweetening Unit,**

**PT. CITRA PITA NIAGATAMA will provide field supply and focusing on rental unit basis to ease the producer more concentrates on to production and development.**

**We offering service to the valuable customer as follows:**

- **Gas Flotation Unit.**
- **CO2 & H2S separation.**
- **Sulphur & Mercury Removal.**
- **Production Separator & Scrubber Unit.**
- **Glycol Dehydration Unit.**
- **LACT/Lease Automatic Custody Transfer.**
- **Gas Compression Unit.**



## Man Power Supply / O&M

**PT. CITRA PITA NIAGATAMA having experiences on serving the Recruitment needs of the producers and industry globally.**

**PT. CITRA PITA NIAGATAMA able organizing employees at all skill level for remote producing areas.**

**Our services including as follows :**

- **Drilling Crew.**
- **Turn Around and Plant Services.**
- **Operation & Maintenance Production Facilities.**



## Safety Health & Environmental

**PT. CITRA PITA NIAGATAMA and HSE expertise has been continually demonstrated at locations and project site. We offer the following service:**

- **Waste water treatment facilities / Hazardous waste treatment.**
- **Waste minimization/recycling/Site remeiation.**
- **Air emission control/Bioremediation/OSHA 1910/HAZOP.**

# PT.CITRA PITA NIAGATAMA

## LIST OF PRODUCTS

Actuators, Valve, Motor Operated  
Actuators, Ball Valves, Pneumatic  
Air Condition, Mitsubishi  
Analyzer, BTU  
Anodes, Sacrificial  
Annunciators  
Arrestors, Flame

Barriers, Intrinsically Safe (FM/UL Listed)  
Batteries  
Battery Chargers  
Buildings, Electric Control, MCC

Cable, Power/MC, Electric  
Cable, Heat-Tracing Electric  
Cable, Submarine, Electric  
Cable, Thermocouple, Electric  
Cable, Instrumentation, Electric  
Cable Tray  
Chlorinator, Electric  
Circuit Breaker, 35 kV, Metal Clad, Vacuum  
Circuit Breaker, 5 and 15 kV, Metal Clad, Vacuum  
Circuit Breaker, 600 Volt Class  
Circuit Breakers, Panelboards  
Closures, Pig Receivers and Launchers (threaded type only)  
Coatings, Platform Pippings, Non Package Equipment, Structures  
Coatings, Internal Pressures Vessels  
Coating Reinforced Mesh Concrete  
Compressor, Air  
Compressor, Vapor Recovery, Electric Motor Driven  
Compressor, Gas, Centrifugal  
Compressor, Gas, Reciprocating  
Compressor, Gas Turbine Drive  
Compressor Prime Mover, Gas Engine/Diesel Engine  
Control System, Distributed  
Control System, PLC  
CO2 Removal, Semipermeable, Membrane  
Controller, Pressure, Flow, Temperature, Level, Control Room Mounted, Electronic  
Controller, Pressure, Flow, Temperature, Level, Field Mounted, Electronic  
Controller, Pressure, Flow, Temperature, Level, Field Mounted, Pneumatic  
Controller, Pressure, Flow, Temperature, Level, Field Mounted, Pneumatic  
Converters (P/I, I/P)  
Corrosion Access Fitting  
Crane, Fixed Boom, Pedestal  
Crane, Tower, Electric

**Desanders**  
**Detectors, Gas**  
**Detectors, Intrusion**  
**Detectors, Ionozation, Fire**  
**Detectors, Temperature, Fire (Hazardous Area)**  
**Detectors, Temperature, Fire (Non-Hazardous Area)**  
**Detectors, UV/IR, Fire**  
**Drainers, Liquid**  
**Dryer and Filter, Instrument Air/Gas**

**Enclosure Metallic. Electrical (Explosion Proof)**  
**Enclosure. Metallic. Electrical (Non Explosion Proof)**  
**Enclosure. Non.Metallic. Electric**  
**Equipment. Laboratory Fiberglass Reinforced Pipe & Fitting**

**Filters. In Line**  
**Filters. Media (Waterflood)**  
**Fire and Safety Equipment**  
**Fire System Engineering and Packaging**  
**Fittings. Electrical**  
**Fittings. & Connectors. Instrument**  
**Fixtures. Lighting. Aviation**  
**Fixtures. Lighting. Emergency**  
**Fixtures. Lighting. Fluorescent**  
**Fixtures. Lighting. HID**  
**Flare Tip**  
**Flexible Pipe**  
**Flow Indicators. Sight (Rotator Type)**  
**Flow Meters. Positive Displacement Meters Crude Oil. Custody Transfer only**  
**Flow Meters. Vortex Shedding**  
**Flow Meters. Turbine**  
**Flow Recorder. Field Mount**  
**Flow Transmitter. Electric**  
**Flow Transmitter. Pneumatic**

**Gasket. Insulating**  
**Generator. Electrical**  
**Generator. Electrical. Packaged (Above 20 KW)**  
**Generator. Packaged (20 KW and Below)**  
**Grounding Electrical**  
**Generator. Flame Front**

**Heat Exchangers. Air Cooled (Fin Fan)**  
**Heat Exchangers. Shell and Tube**  
**Heater. Fired**  
**Heater. Fuel Gas**  
**Heater. Immersion**  
**Hoist. Monorail**  
**HVAC Systems**

**Intrusion Detector**

**Level Controller. Displacement. Field Mount**  
**Level Indicator. Differential Pressure Type**  
**Level Indicator. Gauge Glass**  
**Level Indicator. Tape-Type (Tanks)**  
**Level Recorder. Field Mount**

**Level Switch. Capacitance. Inductance**  
**Level Switch. Differential Pressure (Head)**  
**Level Switch. Displacement Type**  
**Level Transmitter. Displacement**

**Meter. Electric. Switchboard Type**  
**Monitors. Vibration**  
**Monitors. Oil/Water**  
**Motor Control Center. Packaged**  
**Motor Control Station. Non-metallic Box. Start/stop Switch**  
**Motor. Electric (200 HP and below)**  
**Motor. Electric (Over 200 HP)**  
**Motor Starter. Solid State. Soft Start**

**Navigation Aids**

**Orifice Fittings**

**Paging System**  
**Panel. Fire Pump**  
**Panel. Metering**  
**Panel. Pneumatic**  
**Pig Signals**  
**Pipe, Drill Pipe**  
**Pipe, Casing**  
**Pipe, Tubing**  
**Pressure Controllers, Electronic**  
**Pressure Controllers, Field Mount**  
**Pressure Indicators**  
**Pressure Indicators, Differential Pressure**  
**Pressure Recorders, Field Mount**  
**Pressure Regulators, Self Contained**  
**Pressure Switches, Electric**  
**Pressure Switches. Pneumatic**  
**Pressure Transmitters. Electronic**  
**Pressure Transmitters, Pneumatic**  
**Produced Water Handling Units**  
**Pumps, Chemical Metering, Pneumatic**  
**Pumps. Crude Transfer**  
**Pumps, Gear or Screw**  
**Pumps, General Duty**  
**Pumps. Laundry Fluid**  
**Pumps, Reciprocating, Electric Motor Driven**  
**Pumps, Diaphragm. Gas Driven**  
**Pumps. Submersible**  
**Pumps, Vertical. Motor/Engine Driven (Cat Engine Only)**

**Recorder/Indicator, Pressure, Flow, Temperature, Level. Field Mounted, Electronic**  
**Recorder/Indicator, Pressure, Flow, Temperature, Level, Control Rm . Mounted, Electronic**  
**Recorder/Indicator. Control Rm Mtd, Pneumatic**  
**RTU**  
**Relays. Control. Electric**  
**Relays. Indicating (Pneumatic)**  
**Relays. Motor Protection**  
**Relays. Protective. Electric**  
**Rigs 250 HP, 350 HP, 550 HP, 750 HP, 1000 HP, 1500 HP, 1700 HP**

**Sampling Device. Automatic**  
**Sewage Treatment Units**  
**Solar Panels**  
**Steam Cleaners**  
**Strainers**  
**Survival Capsule**  
**Switchgear. Electric**

**Temperature Controllers. Field Mount**  
**Temperature Elements. Resistance (RTD)**  
**Temperature Elements. Thermocouples**  
**Temperature Indicators**  
**Temperature Switches. Electric**  
**Temperature Transmitters. Electronic**  
**Temperature Transmitters. Pneumatic**  
**Terminators. Cable Armor. Electric**  
**Terminators. Conductor. Electric**  
**Terminators. Insulation. Electric (Stress Cones). 15 kV above**

**Thermowells**  
**Transducers (Pneumatic|Electric)**  
**Transformers. Dry Type**  
**Transformers. Oil Filled**  
**Transformers. Oil Filled. Down Hole Pumps**

**Uninterrupted Power Supplies(UPS)**

**Valves . Ball (Flanged Ends). Shut-down Valve Application**  
**Valves. Ball. Flanged Ends (Non SDV Application)**  
**Valves. Ball (Screwed/Socketed Weld)**  
**Valves. Butterfly**  
**Valves. Check. Horizontal Swing (Flanged Ends)**  
**Valves. Check (Screwed. Socket)**  
**Valves. Check. Wafer**  
**Valves. Choke**  
**Valves. Control. Firewater Deluge**  
**Valves. Control. General**  
**Valves. Control. Tank Blanketing**  
**Valves. Gaslift Shutdown Valve**  
**Valves. Gas Lift Flow Control**  
**Valves. Globe**  
**Valves. Plug**  
**Valves. Needle**  
**Valves. Pressure Relief**  
**Valves. Quick Exhaust**  
**Valves. Solenoid**  
**Valves. Subsea. 150 Lbs . Rating**  
**Valves. Subsea. Above 150 Lbs . Rating**

**Water Purifiers**  
**Watermaker. Reverse Osmosis**

-----\$\$\$\$-----